

Product Catalog

Rocker Switch





Higher, faster, farther – the functions offered by technical developments are increasing while their size is constantly being reduced. This presents a challenge for the designers of the individual components. To meet both of the above requirements and also to satisfy the demands of our partners, we have built up an extremely wide range of switches. Decades of experience in developing and producing switches provide us with the basis to find the best solution for your application, too.

Our rocker switches are used in a large number of applications ranging from household appliances and power tools to industrial machines and plant equipment. Cherry rocker switches are the perfect choice for economical, compact switching, in current ratings of up to 20 amperes. They are available in a wide variety of shapes and colors, in lighted and non-lighted designs, and with different switch characteristics, electrical ratings and protection classes. To satisfy almost every need. We'll be glad to assist you.



Standard

<u>TR Series – Single Pole Rocker Switch</u>	4
<u>CR Series – Single Pole Rocker Switch for higher loads</u>	6
<u>YR Series – Double Pole Rocker Switch</u>	8
<u>WR Series – Double Pole Rocker Switch for higher loads</u>	10

Miniature

<u>SR Series – Single Pole Rocker Switch</u>	12
<u>LR Series – Double Pole Rocker Switch</u>	14
<u>RR Series – Round Rocker Switch</u>	16
<u>SR Series – Round Rocker Switch for higher loads</u>	18

Ultra-miniature

<u>PR Series – Ultra-miniature Rocker Switch</u>	20
--	----

Waterproof

<u>K Series – Waterproof Rocker & Pushbutton Switch</u>	22
---	----

SINGLE POLE ROCKER SWITCH

TR Series



Features

- 16A switching in 11mm wide package
- Lighted and non-lighted versions
- Available in a wide variety of colors
- Double-throw and three-position versions available
- Fits industry-standard cut-outs
- Mechanical life: min. 50,000 operations

Specifications

Electrical

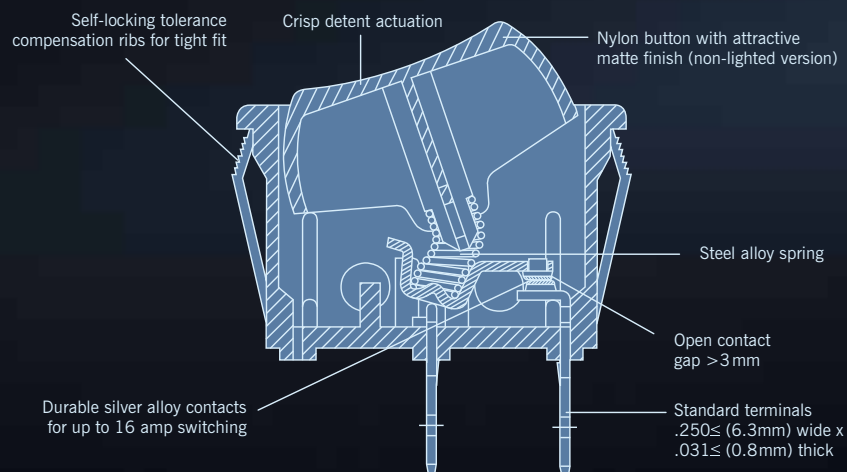
Dielectric Strength:	1000VAC for 1 minute
Insulation Resistance:	10 ⁸ ohms min at 500VDC
Initial Contact Resistance:	0.020 ohms max
Temperature Range:	-20°C to +65°C

Materials

Actuator (non-lighted):	Nylon 66 94V-2
Actuator (lighted):	Polycarbonate
Case:	Nylon 66 94V-2
Spring:	Steel Wire
Contacts:	Silver Alloy
Movable Arm:	Silver-Plated Copper Alloy
Fixed Contact Terminals:	Tin-Plated Copper Alloy

Electrical Ratings

Switch Series	EN61058 Rating	UL1054 Rating	Electrical Life at Rated Load	
			According to VDE (Min. Operations)	According to UL (Min. Operations)
TR	16(4)A, 250V~, T85 1E4	16A, 125/250VAC, 1/4HP@125V; 3/4HP@250V	10,000	6,000



SINGLE POLE ROCKER SWITCH FOR HIGHER LOADS



CR Series

Features

- Rugged design with current switching up to 20 amps
- 2-color molded button available for maximum visibility
- Lighted and non-lighted versions
- Splash-proof option available
- Available in a wide variety of colors
- Fits to 3 panel cut-out widths
- Mechanical life: min. 100,000 operations

Specifications

Electrical

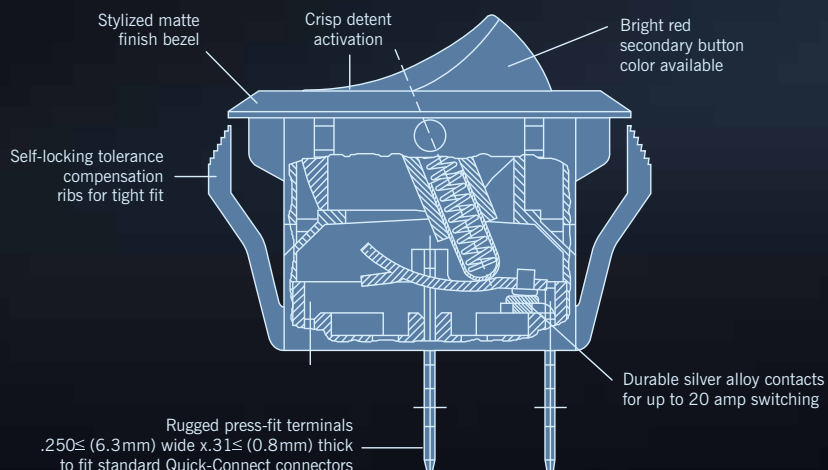
Dielectric Strength:	1000VAC for 1 minute
Insulation Resistance:	10 ⁸ ohms min at 500VDC
Initial Contact Resistance:	0.020 ohms max
Temperature Range:	-20°C to +85°C

Materials

Actuator (non-lighted):	Nylon 66 94V-2
Actuator (lighted):	Polycarbonate
Housing:	Nylon 66 94V-2
Case:	Nylon 66 94V-2
Spring:	Steel Wire
Contacts:	Silver Alloy
Movable Arm:	Silver-Plated Copper Alloy
Terminals:	Tin-Plated Copper Alloy

Electrical Ratings

Switch Series	EN61058 Rating	UL1054 Rating	Electrical Life at Rated Load	
			According to VDE (Min. Operations)	According to UL (Min. Operations)
CR	16(4)A, 250V~, T125	20A, 125VAC; 16A, 250VAC; 3/4HP, 250VAC	10,000	6,000





Examples of Common Part Numbers and Descriptions inches (mm)

Part Number	Circuitry	Switch Function	Terminal Type	Actuator/Housing Color	Legend Marking
CRE22F2FBBNE		On – Off	0.250 (6.30) Quick-Connect	Black/Black	
CRE22F4BBBNE		On – Off	0.250 (6.30) Quick-Connect	Red-Black/Black	
CRE24F2HBBNE		On – Off – On	0.250 (6.30) Quick-Connect	Black/Black	
CRE22F2BBRLE		On – Off/Lighted	0.250 (6.30) Quick-Connect	Red/Black	
CRE22F4BBBNW		On – Off	0.250 (6.30) Quick-Connect	Red-Black/Black Splash-Proof	

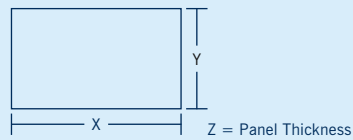
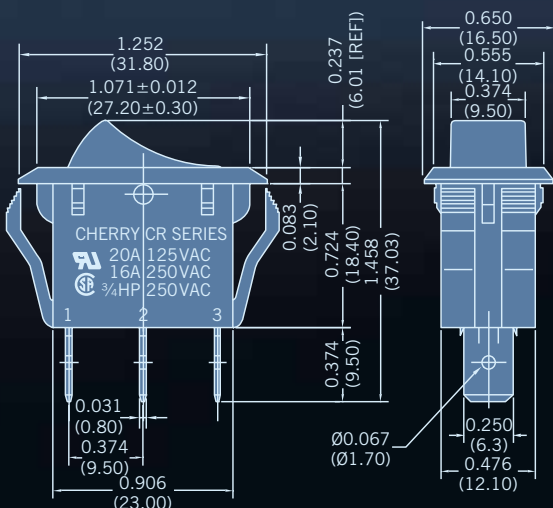
Ordering Information

CR	E	2	2	F	2	F	B	B	N	E
Series	Code Circuitry	Code Switch Function	Code Actuator Type	Code Housing Color	Code Lighted	Code Contact Rating	Code Terminal Type inches (mm)	Code Actuator Marking	Code Actuator Color	Code Body Type inches (mm)
E	2 Single-Pole	2 On – Off	2 Curve – One Color	E Charcoal Grey	N Non-Lighted	20A, 125VAC; 16A, 250VAC (UL & CSA)	F 0.250 (6.3) QC	B Blank	Y Grey	E 0.476 (12.10) Non-Washable
		3 On – On	4 Curve – Two Color Red Mold	Y Grey	L Lighted (Bulb 125VAC)	3/4HP, 250VAC (UL)	T 0.250 (6.3) Solder Tag	E OFF NO	B Black	W 0.543 (13.79) Washable Conforms to IP42
		4 On – Off – On		B Black	E Lighted (Bulb 250VAC)	16(4)A, 250VAC~, T125 (VDE)		F O I	G Green	
				R Red	F Lighted 5VDC Incandescent			K OFF ON	R Red	
				W White	G Lighted 6VDC Incandescent			H I O II	A Amber	
				C Brown	H Lighted 12VDC Incandescent			P OFF ON	W White	
									S Semi-transparent Nylon Red	
									C Brown	
									E Charcoal Grey	

Note: Washable version not available lighted.

Specifications subject to change without notice.

Dimensions inches (mm)



Recommended Panel Cut-Out Dimensions

inches (mm)

Dim. Z	SUFFIX E		SUFFIX W	
	Dim. X	Dim. Y	Dim. X	Dim. Y
0.030 to 0.049 (0.75 to 1.25)	1.120 (28.49)	0.476 (12.10)	1.120 (28.49)	0.543 (13.80)
0.049 to 0.079 (1.25 to 2.00)	1.130 (28.70)	0.476 (12.10)	1.130 (28.70)	0.543 (13.80)
0.079 to 0.118 (2.00 to 3.00)	1.150 (29.21)	0.476 (12.10)	1.150 (29.21)	0.543 (13.80)

DOUBLE POLE ROCKER SWITCH

YR Series



Features

- High current rating to 20 amps
- New style with rounded corners
- Lighted and non-lighted
- Maintained-action and momentary
- Available in a variety of colors
- Mechanical life: min. 50,000 operations

Specifications

Electrical

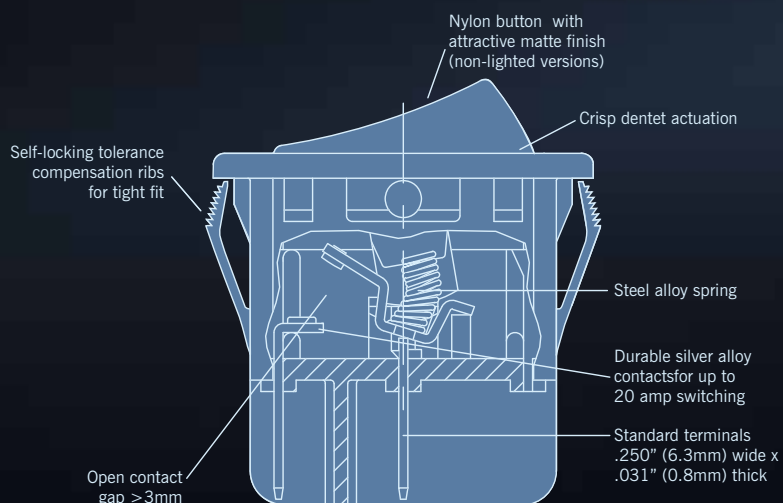
Dielectric Strength:	1000VAC for 1 minute
Insulation Resistance:	10 ⁸ ohms min at 500VDC
Initial Contact Resistance:	0.020 ohms max
Temperature Range:	-20°C to +105°C

Materials

Actuator (non-lighted):	Nylon 66 94V-2
Actuator (lighted):	Polycarbonate
Case:	Nylon 66 94V-2
Spring:	Steel Wire
Contacts:	Silver Alloy
Movable Arm:	Silver-Plated Copper Alloy
Terminals:	Tin-Plated Copper Alloy

Electrical Ratings

Switch Series	EN61058 Rating	UL1054 Rating	Electrical Life at Rated Load	
			According to VDE (Min. Operations)	According to UL (Min. Operations)
YR	16(4)A, 250V~, T125 1E4	20A, 125VAC; 16A 250VAC; 3/4HP 125/250VAC	10,000	6,000



DOUBLE POLE ROCKER SWITCH FOR HIGHER LOADS



WR Series

Features

- Rugged construction for 2-pole, high-current applications
- Lighted and non-lighted
- Maintained-action and momentary
- Single-throw and double-throw
- Available in a variety of colors
- Mechanical life: min. 50,000 operations

Specifications

Electrical

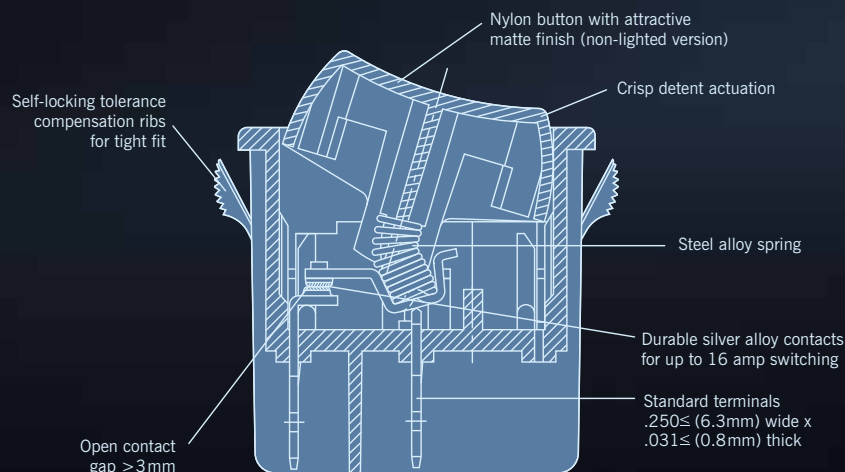
Dielectric Strength:	1000VAC for 1 minute
Insulation Resistance:	10 ⁸ ohms min at 500VDC
Initial Contact Resistance:	0.020 ohms max
Temperature Rating:	-20°C to +65°C

Materials

Actuator (non-lighted):	Nylon 66 94V-2
Actuator (lighted):	Polycarbonate
Case:	Nylon 66 94V-2
Spring:	Steel Wire
Contacts:	Silver Alloy
Movable Arm:	Silver-Plated Copper Alloy
Terminals:	Tin-Plated Copper Alloy

Electrical Ratings

Switch Series	EN61058 Rating	UL1054 Rating	Electrical Life at Rated Load	
			According to VDE (Min. Operations)	According to UL (Min. Operations)
WR	16(4)A, 250V~, T125 1E4	16A, 125/250VAC; 1/4HP@125V; 3/4HP@250V	10,000	6,000



SINGLE POLE ROCKER SWITCH



SR Series

Features

- 10 or 20 amp switching in a miniature package
- Single-throw and double-throw options
- Choice of actuator and housing color
- Variety of terminals available
- Industry-standard mounting dimensions
- Mechanical life: min. 100,000 operations

Specifications

Electrical

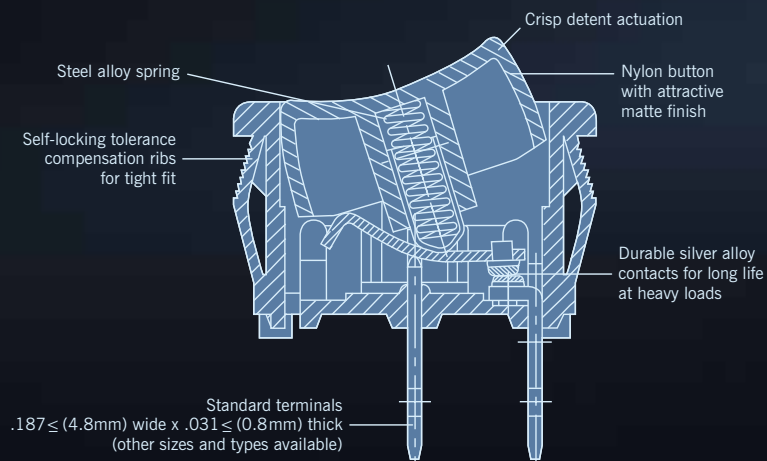
Dielectric Strength:	1000VAC for 1 minute
Insulation Resistance:	10 ⁸ ohms min at 500VDC
Initial Contact Resistance:	0.020 ohms max
Temperature Range:	-20°C to +65°C

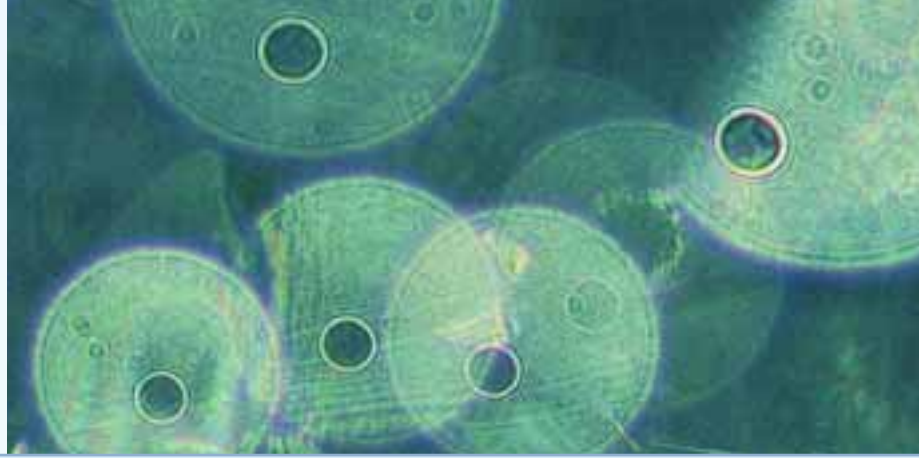
Materials

Actuator:	Nylon 66 94V-2
Case:	Nylon 66 94V-2
Spring:	Steel Wire
Contacts:	Silver or Copper Alloy
Movable Arm:	Silver-Plated Copper Alloy
Terminals:	Tin-Plated Copper Alloy

Electrical Ratings

Switch Series	EN61058 Rating	UL1054 Rating	Electrical Life at Rated Load	
			According to VDE (Min. Operations)	According to UL (Min. Operations)
SR	10(4)A, 250V~, μT85	20A, 125VAC; 10A, 125VAC; 6A, 250VAC	10,000	6,000





Examples of Common Part Numbers and Descriptions inches (mm)

Part Number	Circuitry	Switch Function	Terminal Type	Actuator/Housing Color	Legend Marking
SRB22A2FBBNN		On - Off	0.187 (4.80) Quick-Connect	Black/Black	
SRB22A2BBBNN		On - Off	0.187 (4.80) Quick-Connect	Black/Black	
SRB22A2DBBNN		On - Off	0.187 (4.80) Quick-Connect	Black/Black	
SRB23A2BBBNN		On - On	0.187 (4.80) Quick-Connect	Black/Black	
SRB24A2HBBNN		On - Off - On	0.187 (4.80) Quick-Connect	Black/Black	

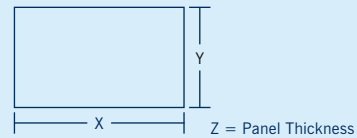
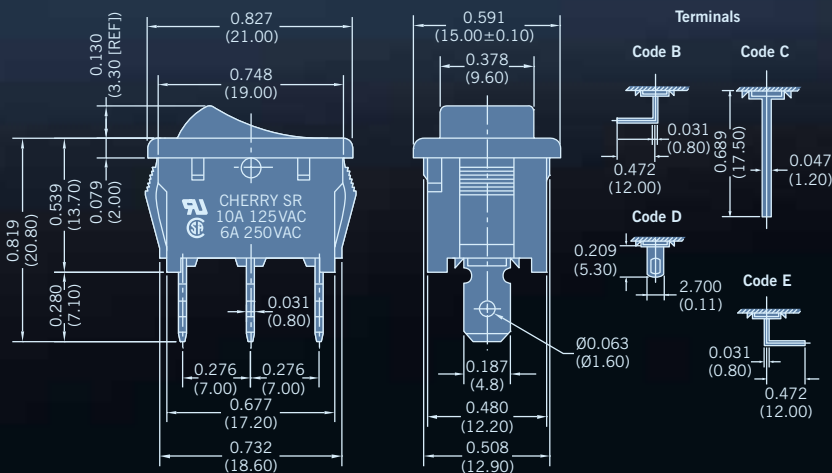
Boot #0015-0644

Ordering Information

SR	B	2	4	A	2	H	B	B	N	N		
Series	Code	Circuitry	Code	Switch Function	Code	Actuator Type	Code	Housing Color	Code	Lighted		
	2	Single-Pole	2	On - Off	2	Curve	B	Black	N	Non-Lighted		
Code	Contact Rating		3	On - On	Code	Actuator Marking		W	White	Code	Splashproof	
B	10A, 125VAC 6A, 250VAC (UL, CSA) 10(4)A, 250V~, μ T85 (VDE)		4*	On - Off - On	B	Blank	C	LO	HI	N	No Rocker Boot	
J	20A, 125VAC (UL, cUL)		5*	(On) - Off	D	OFF	NO	D	OFF	S	Waterproof Boot	
	Code	Terminal Type inches (mm)		E*	O	I		E*	Charcoal Grey	*No Agency Approvals for these options		
	A	0.187 (4.8) QC		F	O	-		B	Black			
	B	PC Thru-Hole Left Angle		G	O	.		R	Red			
	C	PC Thru-Hole Straight		H*	I	O	II	W	White			
	D	0.185 x 0.106 (4.7 x 2.7) Solder Tag						Y	Grey			
	E	PC Thru-Hole Right Angle						C	Brown			
								E*	Charcoal Grey			
								G	Green			
								D	Orange			
								U	Blue			
								M	Yellow			

Specifications subject to change without notice.

Dimensions inches (mm)



Recommended Panel Cut-Out Dimensions

inches (mm)

Dim. Z	Dim. X	Dim. Y
0.030 to 0.049 (0.75 to 1.25)	0.752 (19.10)	0.508 (12.90)
0.049 to 0.079 (1.25 to 2.00)	0.760 (19.30)	0.508 (12.90)
0.079 to 0.118 (2.00 to 3.00)	0.775 (19.76)	0.508 (12.90)

DOUBLE POLE ROCKER SWITCH



LR Series

Features

- Single-pole and double-pole configurations
- Lighted and non-lighted options
- Available in a wide variety of colors
- High current switching in a compact package
- Variety of terminal styles available
- Self-locking tabs to fit industrystandard panel cut-outs
- Mechanical life: min. 100,000 operations

Specifications

Electrical

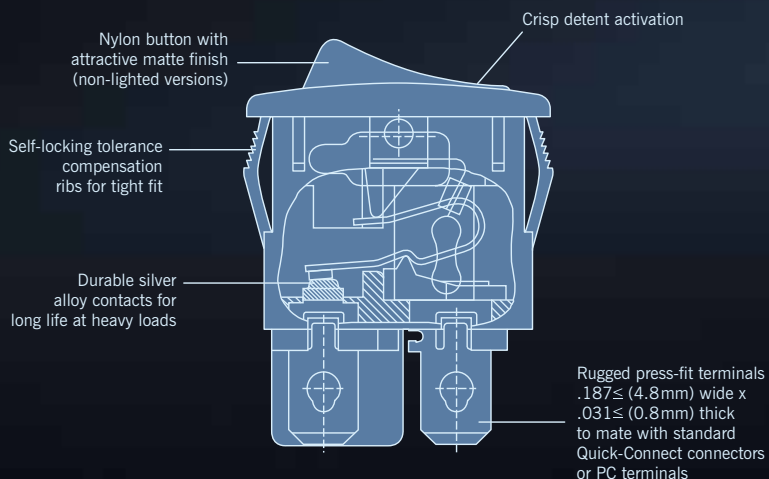
Dielectric Strength:	1000VAC for 1 minute
Insulation Resistance:	10 ⁸ ohms min at 500VDC
Initial Contact Resistance:	0.020 ohms max
Temperature Range:	-20°C to +65°C

Materials

Actuator (non-lighted):	Nylon 66 94V-2
Actuator (lighted):	Polycarbonate
Case:	Nylon 66 94V-2
Contacts:	Silver Alloy
Movable Arm:	Copper Alloy
Terminals:	Tin-Plated Copper Alloy

Electrical Ratings

Switch Series	EN61058 Rating	UL1054 Rating	Electrical Life at Rated Load	
			According to VDE (Min. Operations)	According to UL (Min. Operations)
LR	10(4)A, 250V~, T125/55	10A, 125VAC; 8A, 250VAC; 1/4HP, 125/250VAC	10,000	6,000





Examples of Common Part Numbers and Descriptions inches (mm)

Part Number	Circuitry	Switch Function	Terminal Type	Actuator/Housing Color	Legend Marking
LRA22H2FBBNN		On – Off	0.187 (4.80) Quick-Connect	Black/Black	
LRA32H2FBBNN		On – Off	0.187 (4.80) Quick-Connect	Black/Black	
LRA22H2BBBNN		On – Off	0.187 (4.80) Quick-Connect	Black/Black	
LRA32H2BBBNN		On – Off	0.187 (4.80) Quick-Connect	Black/Black	
LRA22H2BBRLN		On – Off/Lighted	0.187 (4.80) Quick-Connect	Red/Black	
LRA32H2BBRLN		On – Off/Lighted	0.187 (4.80) Quick-Connect	Red/Black	

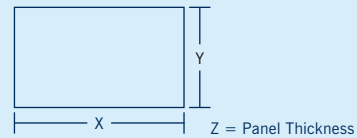
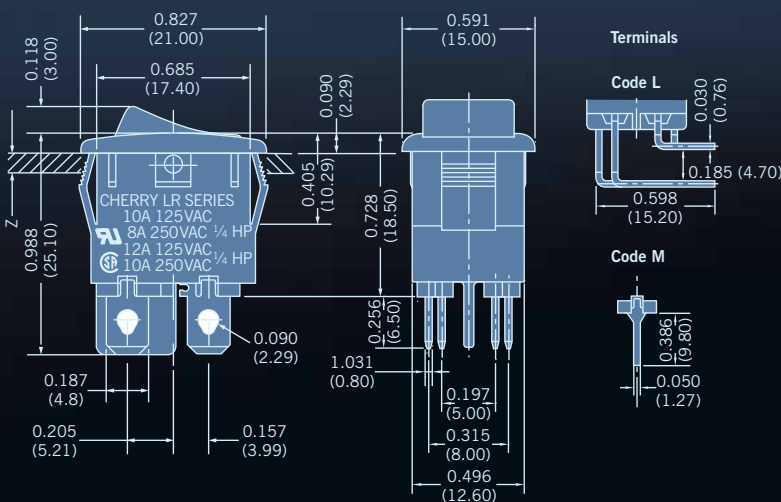
Boot #0015-0644

Ordering Information

LR	A	2	2	H	2	F	B	B	N	N
Series	Code Circuitry	Code Switch Function	Code Actuator Type	Code Actuator Marking	Code Housing Color	Code Actuator Color	Code Lighted	Code Splashproof		
	2 Single-Pole 3 Double-Pole	2 On – Off	2 Curve	B Blank D OFF NO E O I F O – G •	E Charcoal Grey B Black W White Y Grey C Brown	E Charcoal Grey B Black G Green A Amber R Red W White Y Grey S Semi-transparent Nylon Red C Brown	N Non-Lighted L Lighted (Bulb 125VAC) E Lighted (Bulb 250VAC) F Lighted 5VDC Incandescent G Lighted 6VDC Incandescent H Lighted 12VDC Incandescent	N No Rocker Boot S Waterproof Boot		
Code Contact Rating										
A	10A, 125VAC; 8A, 250VAC; 1/4HP, 125/250VAC (UL) 12A, 125VAC; 10A, 250VAC; 1/4HP, 125/250VAC (CSA) 10(4)A 250 V~, T125/55 (VDE)									
Code Terminal Type inches (mm)										
H	0.187 (4.8) QC									
L	PC Thru-Hole Right Angle									
M	PC Thru-Hole Straight									

Specifications subject to change without notice.

Dimensions inches (mm)



Recommended Panel Cut-Out Dimensions

inches (mm)

Dim. Z	Dim. X	Dim. Y
0.030 to 0.049 (0.75 to 1.25)	0.752 (19.10)	0.508 (12.90)
0.049 to 0.079 (1.25 to 2.00)	0.760 (19.30)	0.508 (12.90)
0.079 to 0.118 (2.00 to 3.00)	0.775 (19.69)	0.508 (12.90)

ROUND ROCKER SWITCH

RR Series



Features

- Single-pole and double-pole configurations
- Lighted and non-lighted options
- Available in a wide variety of colors
- High current switching in a compact round package
- Self-locking tabs to fit industrystandard panel cut-outs
- Mechanical life: min. 100,000 operations

Specifications

Electrical

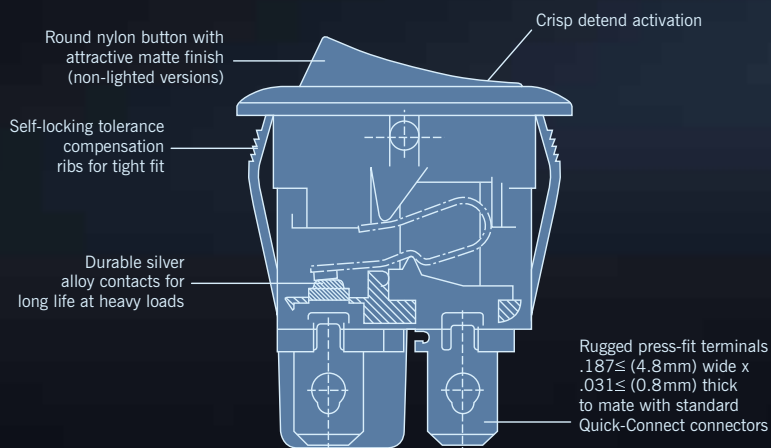
Dielectric Strength:	1000VAC for 1 minute
Insulation Resistance:	10 ⁸ ohms min at 500VDC
Initial Contact Resistance:	.020 ohms max
Temperature Range:	-20°C to +85°C

Materials

Actuator (non-lighted):	Nylon 66 94V-2
Actuator (lighted):	Polycarbonate
Base:	Nylon 66 94V-2
Contacts:	Silver Alloy
Movable Arm:	Copper Alloy
Terminals:	Tin-Plated Copper Allo

Electrical Ratings

Switch Series	EN61058 Rating	UL1054 Rating	Electrical Life at Rated Load	
			According to VDE (Min. Operations)	According to UL (Min. Operations)
RR	10(4)A, 250V~, μ T125/55	10A, 125VAC; 8A, 250VAC, 1/4 HP; 125/250VAC	10,000	6,000



ROUND ROCKER SWITCH FOR HIGHER LOADS

SR Series



Features

- 20 amp switching in a compact design
- Available in a variety of colors
- Self-locking tabs and anti-rotation pin for snug fit
- Mechanical life: min. 50,000 operations

Specifications

Electrical

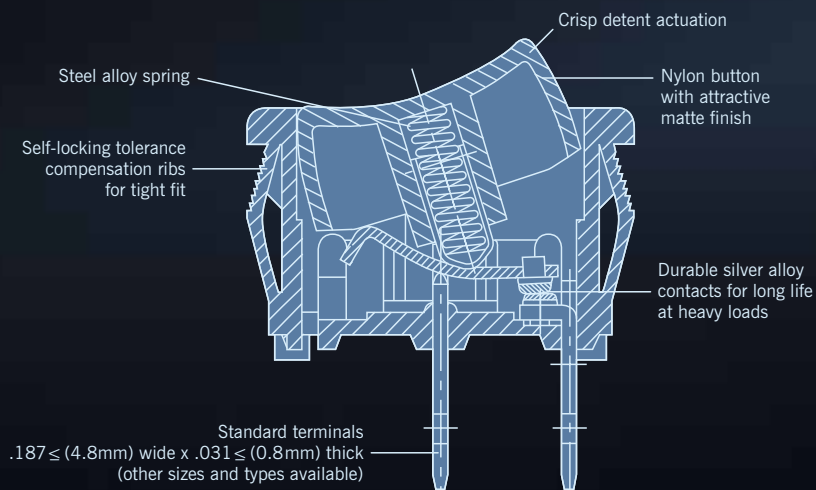
Dielectric Strength:	1000VAC for 1 minute
Insulation Resistance:	10 ⁸ ohms min at 500VDC
Initial Contact Resistance:	0.020 ohms max
Temperature Range:	-20°C to +65°C

Materials

Actuator:	Nylon 66 94V-2
Base:	Nylon 66 94V-2
Contacts:	Silver Alloy
Movable Arm:	Silver-Plated Copper Alloy
Terminals:	Tin-Plated Copper Alloy

Electrical Ratings

Switch Series	EN61058 Rating	UL1054 Rating	Electrical Life at Rated Load	
			According to VDE (Min. Operations)	According to UL (Min. Operations)
SR	N/A	20A, 125VAC; 12A, 250VAC	N/A	6,000





Examples of Common Part Numbers and Descriptions inches (mm)

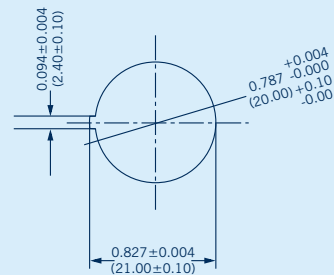
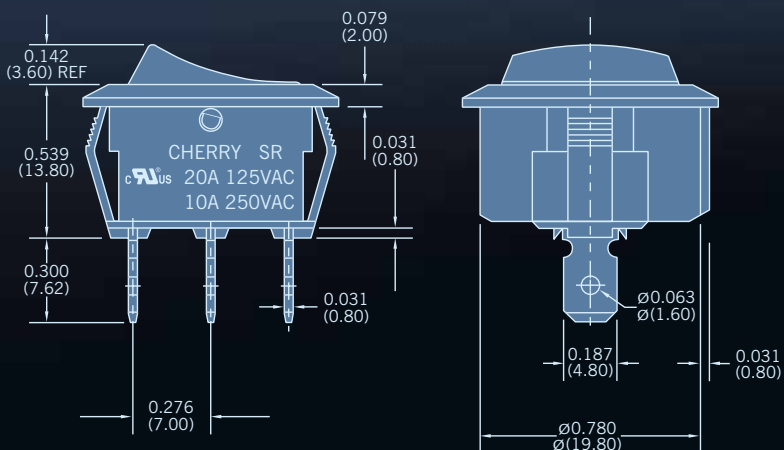
Part Number	Circuitry	Switch Function	Terminal Type	Actuator/Housing Color	Legend Marking
SRJ22A3BBBNN		On - Off	0.187 (4.80) Quick-Connect	Black/Black	○
SRJ23A3BBBNN		On - Off	0.187 (4.80) Quick-Connect	Black/Black	○
SRJ24A3BBBNN		On - Off - On	0.187 (4.80) Quick-Connect	Black/Black	○
SRJ24A3HBBNN		On - Off - On	0.187 (4.80) Quick-Connect	Black/Black	⓪

Ordering Information

SR Series		J Code 2 Circuitry J 20A, 125VAC; 12A, 250VAC (UL, cUL)		4 Code 2 Switch Function 2 On - Off 3 On - On 4 On - Off - On		A Code 3 Actuator Type 3 Round		H Code B Housing Color B Black C Brown E Charcoal Grey W White Y Grey		B Code N Lighted N Non-Lighted		N Code N Body Type N No Rocker Boot	
Code Contact Rating J 20A, 125VAC; 12A, 250VAC (UL, cUL)		Code Terminal Type inches (mm) A 0.187 (4.80) Quick-Connect		Code Actuator Marking B Blank C I O II D OFF NO E O I F O I G • H I O II		Code Actuator Color A Amber B Black G Green R Red W White Y Grey		Code Lighted N Non-Lighted		Code Body Type N No Rocker Boot			

Specifications subject to change without notice.

Dimensions inches (mm)



Panel Cut-Out Dimensions for Panel Thickness

inches (mm)

0.039 to 0.078
(1.00 to 2.00)



PR Series

Features

- Smallest agency-approved panel-mount power rocker switch
- Available in a variety of colors
- Low-profile design
- Mechanical life: min. 50,000 operations

Specifications

Electrical

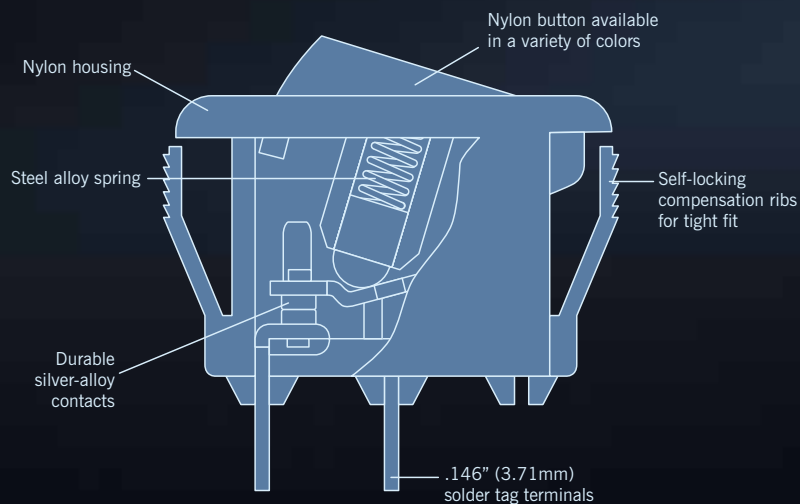
Dielectric Strength:	1000VAC for 1 minute
Insulation Resistance:	10 ⁸ ohms min at 500VDC
Initial Contact Resistance:	20μ ohms max
Temperature Range:	0°C to +100°C (VDE), -20°C to +65°C (UL)

Materials

Actuator:	Nylon 66 94V-2
Base:	Nylon 66 94V-2
Spring:	Piano Wire
Contact:	Steel Alloy
Terminals:	Silver-Plated Copper Alloy

Electrical Ratings

Switch Series	EN61058 Rating	UL1054 Rating	Electrical Life at Rated Load	
			According to VDE (Min. Operations)	According to UL (Min. Operations)
PR	3A, 250VAC, T100/55	6A, 125VAC, 3A 250VAC	10,000	6,000





Examples of Common Part Numbers and Descriptions inches (mm)

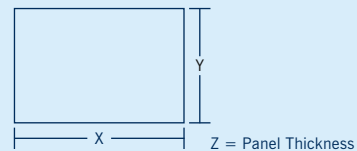
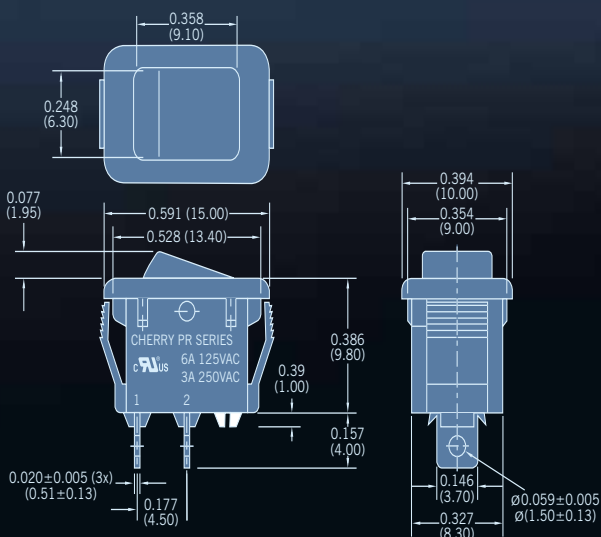
Part Number	Circuitry	Switch Function	Terminal Type	Actuator/Housing Color	Legend Marking
PRK22J5BBNN		On – Off	0.146 (3.71) Solder Tag	Black/Black	
PRK22J5DBBN		On – Off	0.146 (3.71) Solder Tag	Black/Black	

Ordering Information

PR Series	K Code 6A 125VAC, 3A 250VAC (UL, cUL) 3A 250V~ T100/55 (VDE)	2 Code 2 Circuitry Single-Pole	2 Code 2 Switch Function On – Off	J Code 5 Actuator Type Flat	B Code B W Y Housing Color Black White Grey	B Code B R W Y Actuator Color Black Red White Grey	N Code N Lighted Non-Lighted	N Code N Body Type No Splashproof Rocker Boot
J Code 0.146 (3.71) Terminal Type inches (mm) Solder Tag	C Code B C D E F G Actuator Marking Blank LO OFF O O •	H Code H I NO I • Actuator Marking H I NO I •						

Specifications subject to change without notice.

Dimensions inches (mm)



Recommended Panel Cut-Out Dimensions

inches (mm)		
Dim. Z	Dim. X	Dim. Y
0.030 to 0.049 (0.76 to 1.25)	0.535 (13.60)	0.362 ±.004 (9.20 ±0.10)
0.049 to 0.079 (1.25 to 2.01)	0.539 (13.70)	0.362 ±.004 (9.20 ±0.10)
0.079 to 0.098 (2.01 to 2.50)	0.543 (13.80)	0.362 ±.004 (9.20 ±0.10)

K Series



Features

- Enclosed switches complying to IP56 or IP65
- AC and DC electrical ratings
- Lighted and non-lighted versions
- Variety of UL and VDE approvals
- Snap-in mounting

Applications Include

- Outdoor power equipment
- Lawn & garden vehicles
- Irrigation equipment
- Auto aftermarket
- Non-auto vehicles
- Medical

Electrical Ratings

Switch Series	VDC Rating	EN61058 Rating*	UL1054 Rating**
KF	20A 14VDC; 10A 28VDC		10A 125VAC; 6A 250VAC; 1/2HP 125-250VAC
KD	20A 14VDC; 10A 28VDC		16A 125VAC; 10A 250VAC
KC	20A 14VDC; 10A 28VDC	10(4)A 250V	16A 125VAC; 10A 250VAC
KR	20A 14VDC; 10A 28VDC		16A 125VAC 1/3HP; 10A 250VAC 1/2HP
KS	21A, 14VDC		16A 125VAC; 10A 277VAC; 3/4HP 125-277VAC
KG	21A, 14VDC		20A125VAC; 10A 250VAC
KT	21A, 14VDC	10(4)A 250V	20A125VAC 1/3HP; 10A 250VAC 3/4HP
KM		21A 14VDC; 20A 125VAC; 10A 250VAC (no approvals)	

* According to VDE, electrical life at rated load = 10,000 min. operations

** According to UL, electrical life at rated load = 6,000 min. operations

Specifications

Electrical

Dielectric Strength:	1500VAC for 1minute
Insulation Resistance:	10 ⁸ ohms min at 500VDC
Initial Contact Resistance:	0.050 ohms max
Max Temperature Rating:	85°C



Switch Specifications

KG Series	KR Series	KF Series	KM Series	KT Series	KC Series	KD Series	KS Series
							
Rocker	Rocker	Pushbutton	Rocker	Rocker	Rocker	Rocker	Rocker
Approvals							
UL	UL	UL	–	UL/VDE	UL/VDE	UL	UL
Approximate Panel Cut-out							
1.449" X 0.835" (36.80 x 21.20mm)	0.780" x 0.512" (19.80 x 13.00mm)	Round 0.795" (20.20mm) dia.	1.449" X 0.835" (36.80 x 21.20mm)	1.454" x 0.602" (36.8 x 15.2mm)	Round 0.795" (20.20mm) dia.	Round 0.795" (20.20mm) dia.	1.449" X 0.835" (36.80 x 21.20mm)
Protection Rating							
IP56	IP65	IP65	IP56	IP56	IP56	IP56	IP56
Poles & Throws							
SPST	SPST	SPST	SPST	SPST	SPST	DPST	SPST
SPDT	SPDT	DPST	SPDT	SPDT		DPDT	SPDT
DPST			DPST				DPST
DPDT			DPDT				DPDT
Switch Functions							
On - Off	On - Off	On - Off	On - Off	On - Off	On - Off	On - Off	On - Off
On - On	On - On	(On) - Off	On - On	On - On		On - On	On - On
On - Off - On	(On) - Off		On - Off - On	On - Off - On		On - Off - On	
(On) - Off			(On) - Off				
On - (Off)			On - (Off)				
On - (On)			On - (On)				
On - Off - (On)			On - Off - (On)				
(On) - Off - (On)			(On) - Off - (On)				
Terminal Options							
0.250" (6.35mm) Quick Connect	0.187" (4.75mm) Quick Connect	0.187" (4.75mm) Quick Connect	0.250" (6.35mm) Quick Connect	0.250" (6.35mm) Quick Connect	0.187" (4.75mm) Quick Connect	0.187" (4.75mm) Quick Connect	0.250" (6.35mm) Quick Connect
Screw (No. 6-32UNC)					Solder (Round) 0.173" (4.4mm) dia.		Screw (No. 6-32UNC)
Solder (Square) 0.189" (4.8mm)					PC Through-hole Straight		Solder (Square) 0.189" (4.8mm)
Lighted Version Available							
No	Yes	Yes	Yes	Yes	Yes	Yes	No

ZF Electronics GmbH

Cherrystraße
91275 Auerbach
Germany
Phone: +49 96 43 18-0
Fax: +49 96 43 18 17 20
switches@cherry.de
www.cherry.de

ZF Electronics Corporation

11200 88th Avenue
Pleasant Prairie, Wisconsin
USA 53158-0913
Phone: +1 262 942 6500
Fax: +1 262 942 6566
www.cherrycorp.com

ZF Electronics Asia Limited

13 / F, Blk. A, North Point Ind. Bldg.
499 King's Road, North Point
Hong Kong
Phone: +852 2565 6678
Fax: +852 2565 6827

ZF Electronics TVS (India) Private Limited

Madurai - Melur Road,
Vellaripatti, Madurai - 625 122
India
Phone: +91 452 2420218
Fax: +91 452 2420382

Errors, technical changes, and delivery possibilities subject to change. Technical data is based on the specifications of the products only. Features are not guaranteed herewith. Binding data can be found only in drawings in conjunction with product specifications.

801278; 45576015; D; 04/2010; 2; MIN
© 2010 ZF Electronics GmbH

